

## Mobile Board Instructions

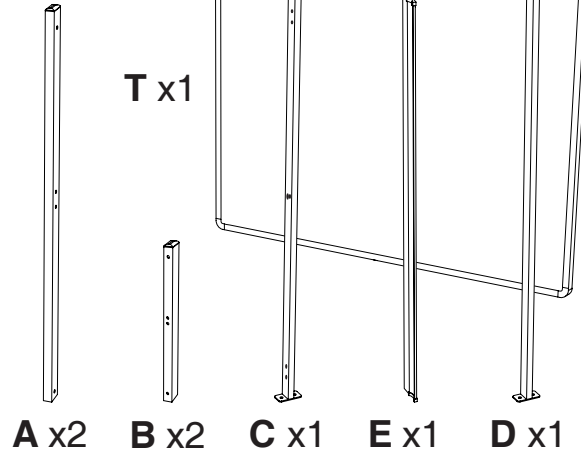
**Note:** After assembly, peel the protective film from both sides of the board.

**Cleaning Tip:** A mild dish washing liquid can be used with a soft cloth to clean the writing surface.



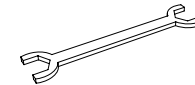
Assistance  
Required

### Parts List

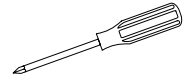


### Tools Required

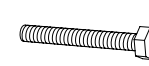
- Additional Wrench



P x1



Q x1



F x4



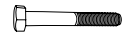
G x10



H x8



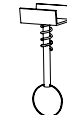
M1 x1



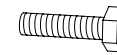
M2 x1



M3 x1



J x1



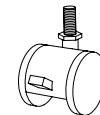
K x8



L x8



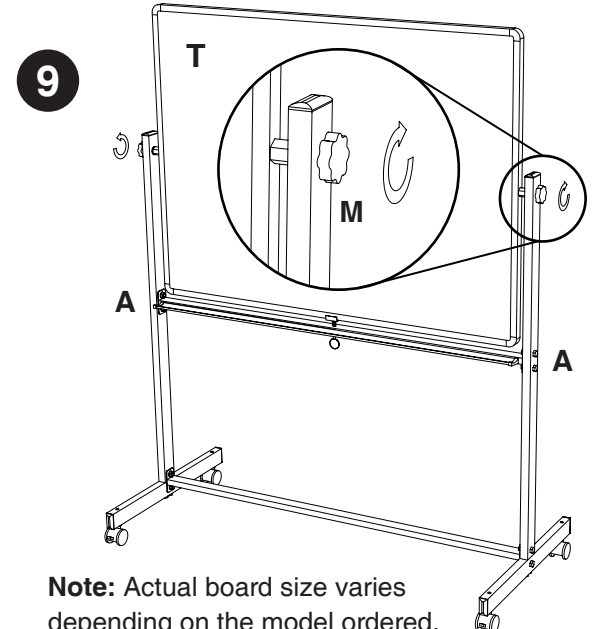
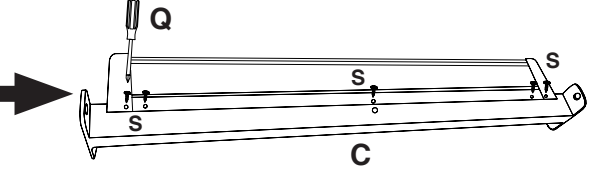
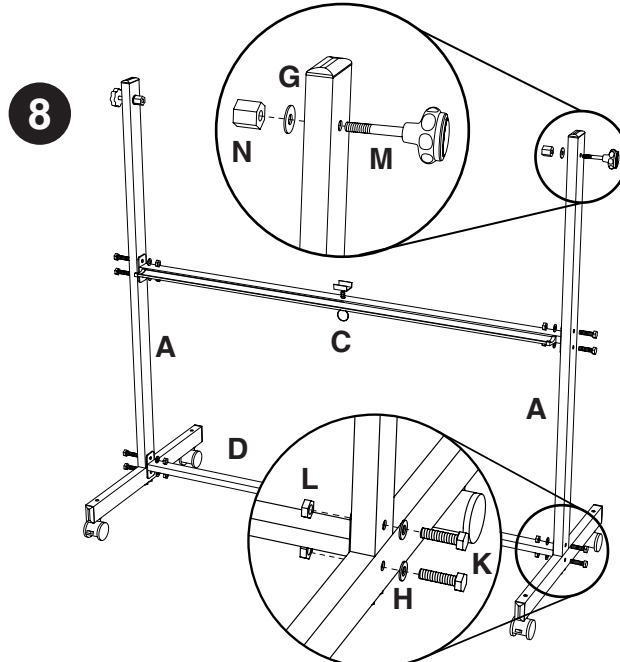
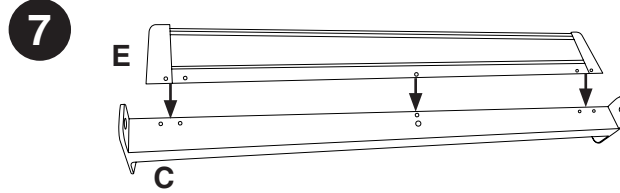
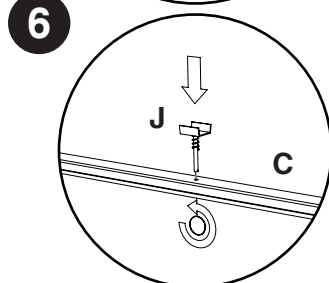
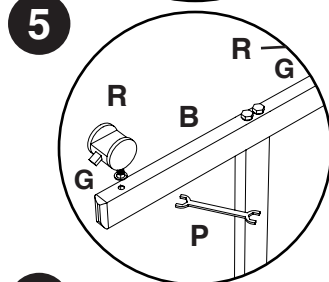
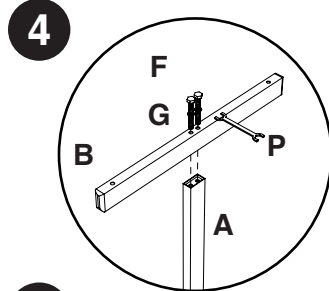
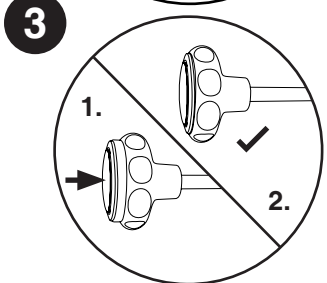
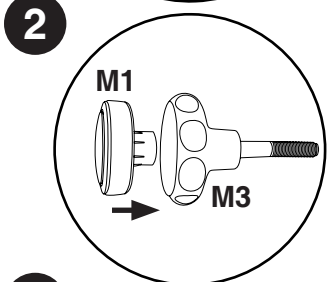
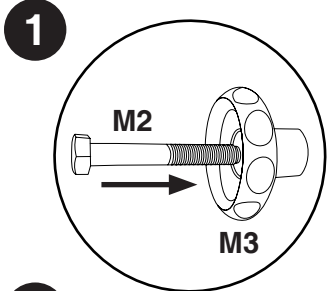
N x2



R x4



S x varies  
depending on  
size of board



**Note:** Actual board size varies depending on the model ordered.